

The Original UL Listed switchable privacy glass panel system.

UL LISTING CATEGORY: IYQX.E216500

www.LTISG.com/ul

Function:

Provides instant visibility or privacy for a translucent, milky white, laminated panel to become transparent with the application of an electrical current to an embedded layer of PDLC liquid crystal particles.

Switching Action:

A variety of switching options are applicable from a basic single-pole light switch, smart phone app, or integration into home automation systems, standard and low voltage.

Dimension:

Maximum width: 58" (1475mm)
Maximum length: 120" (3048mm)
Larger custom sizes available.

Energy Data:

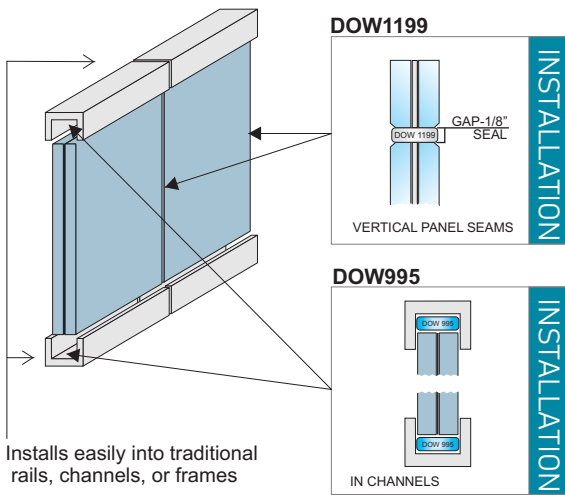
Input Power: 120VAC /60Hz
Operating Temp: -20 / 70°C

Energy Consumption:
~3 watts/ sq meter
0 Watts in privacy state

Installation Data:

Wet Glazing Sealant Specification:

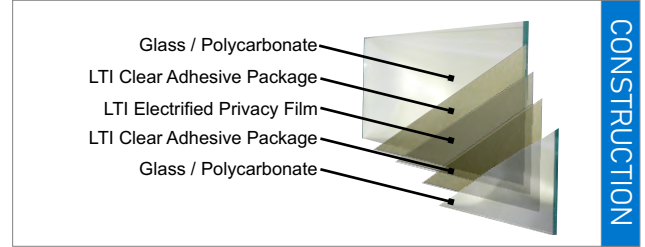
See LTI LC installation manual for additional glazing details and cautions online @ www.ltisg.com/LTI_LC_Manual



Installs easily into traditional rails, channels, or frames

Method of Action:

Electrical current (120VAC) aligns randomized suspended liquid crystals to achieve desired transparency / privacy.



This product is manufactured per ANSI Z97.1 for laminated safety glass construction

Thickness (Glass):

Maximum Thickness: (unlimited)
Minimum Thickness: 5/16" (7.9mm)
[average thicknesses @ 7/16" (11mm), 9/16" (14.2mm)]

Thickness (Polycarbonate):

Maximum Thickness: (unlimited)
Minimum Thickness: 1/16" (1.58mm)

Performance Data:

Parallel Light Transmission:

On: 78% / Total Light: 80%; Haze Range: 2.5-12%, dependent on composition of construction & environmental lighting conditions.

Off: 4% / Total Light: 65%; Haze Range: Full, dependent on composition of construction & environmental lighting conditions.

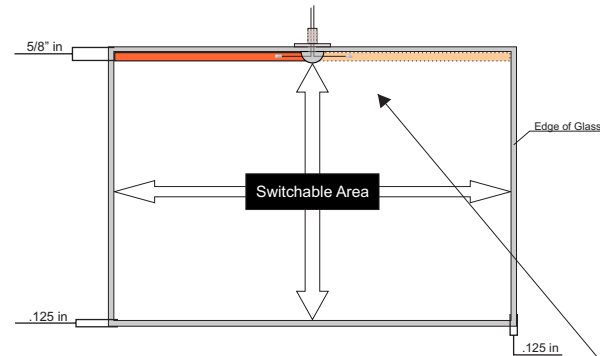
Switching Speed:

Private to Transparent: Approx 7 ms
Transparent to Private: Approx 17 ms

UV Blockage:
99%

Power Leads:

Leads typically exit top center horizontal of panel - 10' pigtail standard



WARNING!
DOW 1199 MUST OUT-GAS TO THE ATMOSPHERE DURING CURE, FRAMES WILL PREVENT PROPER CURING

